

# **Users Manual for Battery Charger**

This battery charger is especially made for Tour Guide System AG600 Series manufactured by Array CO. Ltd, in which there are 24 charging slots designed especially for Ni-MH or Ni-Cd batteries charging.

I . Product Model: AG600-C.

## **II . Cautions**

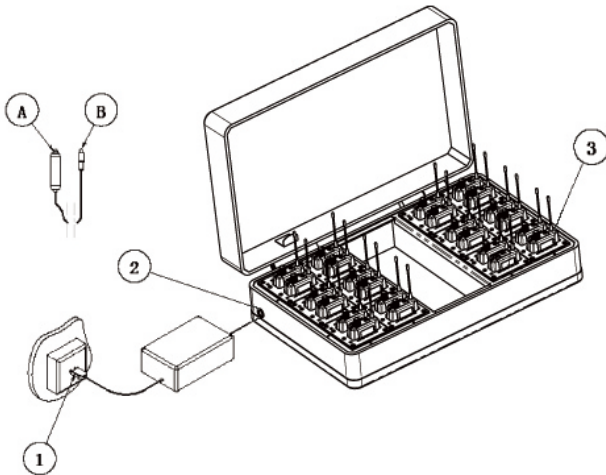
1. Please never use batteries which are not Ni-MH and Ni-Cd Batteries for charging, or it will probably cause the batteries to leak or even explode.
2. Please make sure that the Transmitter/ Receiver is turned OFF before charging, or it will affect the charging result.
3. Please keep the charging case open while charging; it will stop charging automatically when the case is closed.
4. Please do not charge repeatedly after the batteries are fully charged, or the life of the batteries may be affected.
5. Please do not interrupt while charging, or it will affect the charging result.
6. Please do not charge when the ambient temperature is above 40°C or below -20°C.
7. When using the cigarette lighter of an automobile as power supply for charging, the engine of automobile must keep running.
8. Please remove the batteries when the Transmitter/ Receiver is not used for a long period.

9. The fully-charged batteries must be recharged after they haven't been used for more than 4 months.

### III. Name of Each Part

1. Body of Charger
2. Micro switch preventor
3. Micro switch
4. Power jack of the charger
5. Charging indicator LED
6. Charging slot
7. AC Power Adapter
8. Cigarette lighter cable for automobile

### IV. Operation Instructions:



1. As shown in Fig.②, plug one end of the adapter into the jack of the charger. Then attach the other end of the adapter to AC power supply as it is shown in Fig.①.
2. If charge in automobile, please plug the end A of cigarette lighter cable into cigarette lighter holder, then plug the end B into the power jack of the charger②.
3. Make sure that the transmitter or receiver is switched OFF.
4. As shown in Fig.③, put the transmitter or receiver into charging slot.

## V. Indications of Charging LED

### 1. Self-test:

The LED will be in red, then in green, at last turn OFF the moment when the power of the charger is switched on.

This process is called self-test.

2. When the LED is in red, it indicates that the batteries are charging.
3. When the LED is in green, it indicates that the batteries are fully charged.
4. When the LED doesn't work, it indicates that the charging circuit is not closed (See Elimination of Common Faults 1).
5. When the LED blinks in red and green alternately, it indicates that the batteries are worn out (See Elimination of Common Faults 2).
6. When the LED blinks in red, it indicates that charging is not functioning normally (See Elimination of Common Faults 3).

## VI. Elimination of Common Faults

ITEM	FAULT	POSSIBLE REASON	SOLVING METHODS
1	The LED doesn't work	The charging circuit isn't closed.	Make sure that the transmitter or receiver is inserted firmly; Check polarity of the batteries to make sure whether it is reversed; Clean the contact piece of the charging electrodes.
2	The LED blinks in red and green alternately	The batteries are worn out.	Replace the batteries.
3	The LED blinks in red	Charging is not functioning normally	Clean the contact piece of the charging electrodes; Make sure that the transmitter or receiver is inserted firmly.

REMARK: PLEASE SEND IT TO US FOR REPAIRING WHEN THE FAULTS CANNOT BE ELIMINATED ON YOUR OWN.

## VII. Technical Data

AC Power Adapter input Voltage wide range	90-264VAC,47-63HZ
AC Power Adapter output Regulation	18.50V-19.95V
AC Power Adapter Ripple/Noise	300mV
AC Power Adapter Max	4.74A
Input voltage of charger	12-32V
Charging current	150~400mA
Number of charging slots	24
Ambient temperature	-20°C ~40°C
Net weight	About 6.3kg
Dimensions of charger	59cm×38cm×16cm